

# PKCELL

**SHENZHEN PKCELL BATTERY CO., LTD**

CR2032

**Specifications for lithium manganese button Battery**

Compiled by: Shichao Guan

Checked by: Zhijiang Li

Date: Mar 28, 2013

Product Model: PKCELL-CR2032

Website: [www.pkcell.net](http://www.pkcell.net)

E-mail: [pkcel@pkcel.net](mailto:pkcel@pkcel.net)

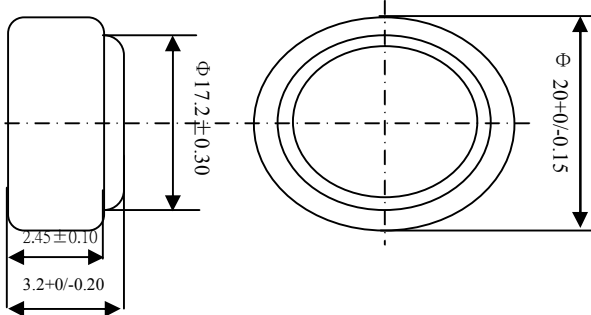
---

(The manufacturer keeps privilege to modify the product specifications and data without notice)

**Technical Data Sheet**

**CR2032**

- 1 Chemical System: Lithium/Manganese Dioxide(Li/MnO<sub>2</sub>)
- 2 Nominal Voltage: 3.0V
- 3 Nominal capacity:210mAh(rated at 15kΩ continuous discharge to the end-point voltage 2.0V at 20±3<sup>0</sup>C)
- 4 Average weight: 3.0g
- 5 Dimensions(mm)



**6 Performance:**

**6.1 Electrical parameters**

Item	Storage	Performance	Test condition
OCV	fresh	3.10V~3.30V	DC Voltmeter: accuracy ≅ ±0.005V input impedance ≅ 1MΩ
	after 12 months	3.10V~3.30V	
CCV	fresh	≅ 3.00V	DC voltmeter: same as above load: 15kΩ for 0.8 sec.
	after 12 months	≅ 3.00V	

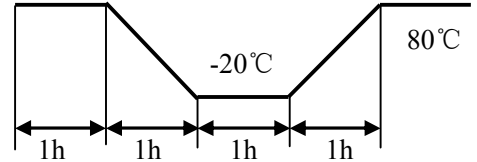
**6.2 Service life**

Item	Storage	Performance	Test condition
Accelerate test	Fresh	≅ 210hrs	load: 3kΩ, end-point voltage: 2.0V
	after 12 months	≅ 190hrs	
standard	Fresh	≅ 1100hrs	load: 15kΩ, end-point voltage: 2.0V
	after 12 months	≅ 1000hrs	

**6.3 Leakage proof parameter**

Temperature range from -20°C~80°C

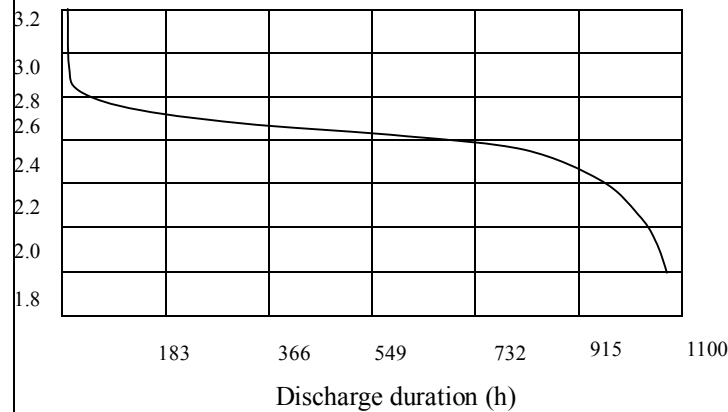
Cycle as below:



Test result: no visible leakage

**7 Typical discharge curve**

load: 15kΩ end-point voltage: 2.0V



**8 Marking:**

- 8.1 model number: CR2032
- 8.2 brand: “PKCELL” “Neutral”
- 8.3 polarity: “+” marking on positive terminal (no “-”marking)

**9. Precautions:**

- 9.1 Never charge the battery as it is not designed to be rechargeable, may cause leakage or explosion.
- 9.2 Insert battery with its positive and negative terminals properly aligned with the corresponding marks on the equipment.
- 9.3 Never short circuit, heat, incinerate or dismantle the battery.